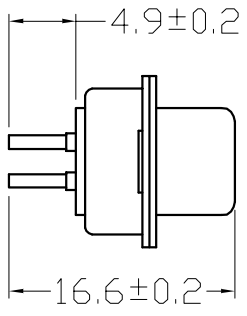
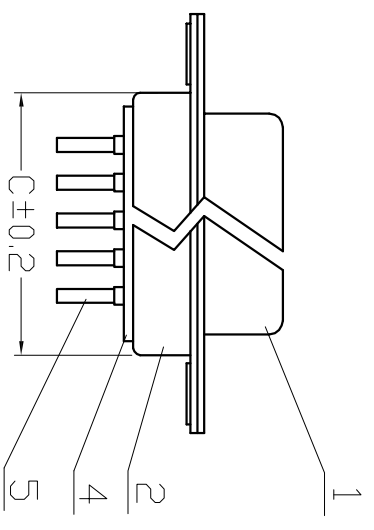
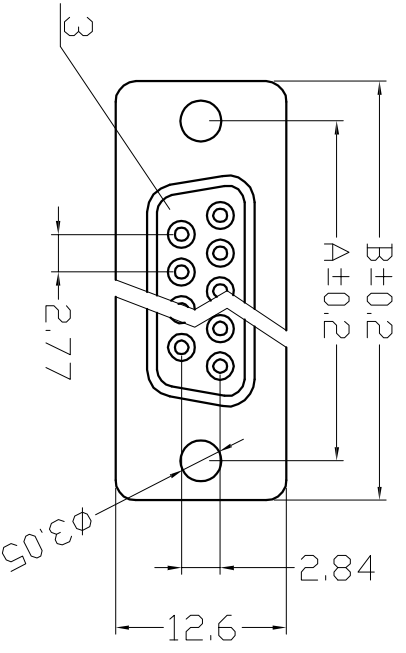


序号/RevNo.	名称/Title	文件编号/File No.
1	上铁壳	
2	下铁壳	
3	100F前罩料件	
4	100F后罩料件	
5	101F端子	



Specifications:
 Contact Resistance: 30mΩ max. at DC 100 mA
 Insulator Resistance: 1000MΩ min. at DC 500V
 Current Rating: 5AMP
 Dielectric Withstanding Voltage: AC 1000V For 1 minute
 Operating Temperature: -55°C ~ +105°C
 Contact: Phosphor Bronze
 Housing: PBT (BLACK) & 30% Glass Fiber (UL 94V-0)

Position	A	B	C
9	24.99	30.81	19.36
15	33.32	39.20	27.64
25	47.04	53.10	41.08
37	63.50	69.50	57.38

序号/RevNo. 更改记录/Revision note 签名/Signature 日期/Date



新莱亚电子
XINJIAYI ELECTRONIC CO., LTD

设计/Designed by	绘图/Drawing by	审核/Checked by	批准/Approved by
图名/Title		文件编号/File No.	
101F 产品图		页序/Sheet	
备注/Remark			

公差/General Tolerance

x. ±0.2	x. ±2
.x ±0.1	.x ±1
.xx ±0.05	.xx ±0.5
.xxx ±0.01	

单位/Unit: MM