

Data sheet

Commercial Art.No.: 55.703.1053.9

Feed-through terminal WKF2,5/MD/15 ORANGE

Feed-through terminal with tension spring connection for mounting on TS15, nominal cross section: 2.5 mm², width: 10 mm, color: orange



Commercial Art.No.	55.703.1053.9
EAN	4015573375543
Order Unit	100

Certificates / Approvals



Technical data

General

Nominal cross section	2.5 mm ²
Color	orange
Number of levels	1
Number of clamp positions per level	4
Width/grid dimension	10 mm
Insulating housing	PA66
Inflammability class of insulation material acc. with UL94	V2
Explosion-tested version "Ex e"	No
Mounting method	DIN rail (top hat rail) 15 mm
Terminal blocks for electrical installations	yes

Technical data

Rated current	24 A
Rated voltage	800 V
Pollution degree	3
Closing plate required	yes
Type of insulation material	Thermoplastic
Length	36 mm

Connection Data

Connection type 1	spring clamp connection
Connection type 2	spring clamp connection

Minimum cross section solid	0.13 mm ²
Maximum cross section solid	4 mm ²
Minimum cross section fine stranded	0.13 mm ²
Maximum cross section fine stranded	2.5 mm ²
Wire strip length	11 mm

Classification

ECLASS 11	
ECLASS 8.1	27141120
ETIM 7.0	EC000897
ETIM 6.0	EC000897
ETIM 5.0	EC000897
ETIM 4.0	EC000897
ETIM 3.0	EC000897

Product compliance

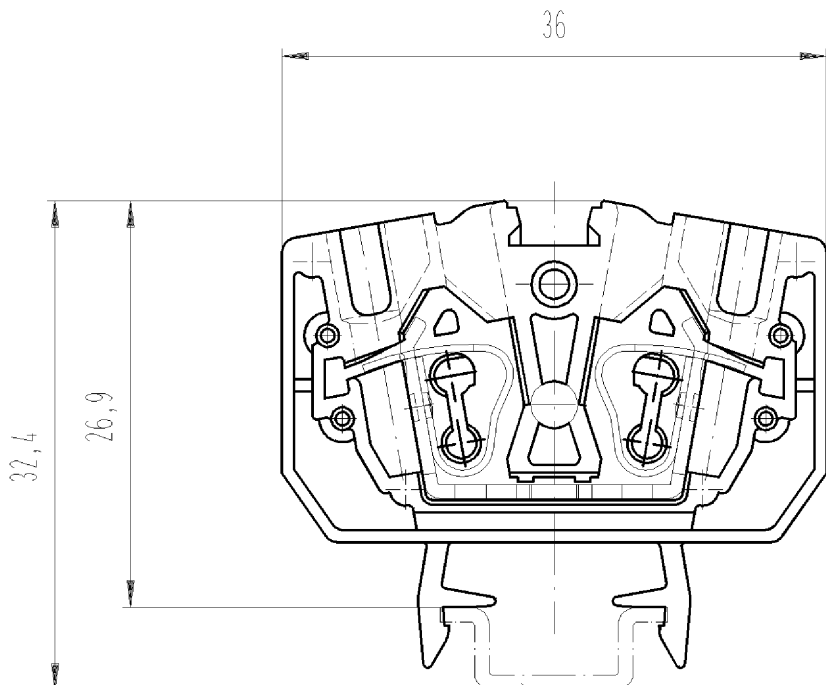
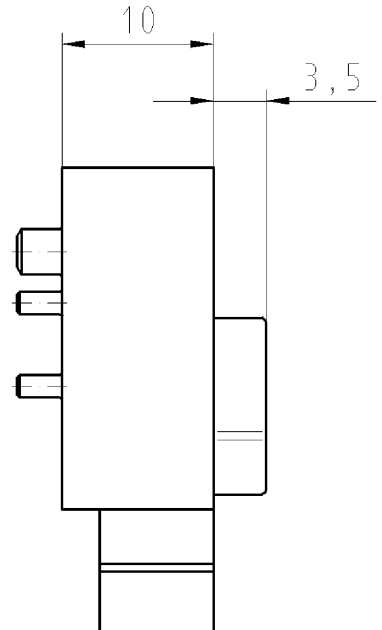
ROHS conformity status	Compliant
REACH-SVHC conformity status	Compliant

Accessories

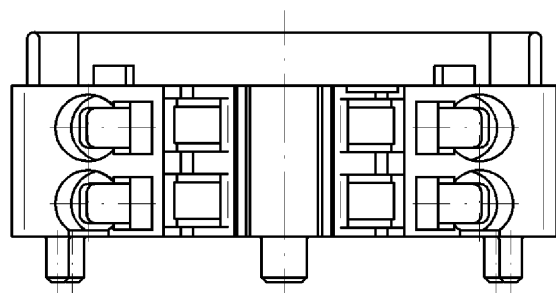
Commercial Art.No.:	Article-type description:	Description:
98.090.0015.0	Mounting rail TS 15 PERF - l:2000mm	Mounting rail TS 15, slotted, Höhe 5,5 mm, length 2 m, material steel. galv. zinc-plated and dichromated
07.312.2953.0	End plate APF 2,5 / M..	End plate for DIN rail terminal blocks type WKF 2,5/M..., color: grey
07.312.2953.6	End plate APF 2,5 / M.. BLAU	End plate for DIN rail terminal blocks type WKF 2,5/M..., color: blue

These dimensions will be especially checked at delivery
Only inspection dimensions
With /E marked dimensions are only valid for internal use

Diese Maße werden bei Abnahme besonders geprüft
Ausschließlich Prüfmaße
Mit /E gekennzeichnete Maße sind nur für interne Zwecke gültig



Hutschiene EN 60715-15x5,5
mounting rail EN 60715-15x5,5



Weitere Daten siehe Katalog
further data see catalog

Teile-Nr. part-no.	Farbe colour	Type type
55.703.1053.0	grau/grau	WKF 2,5/MD/15
55.703.1053.6	blau/blue	WKF 2,5/MD/15 BLAU
55.703.1053.7	grün/green	WKF 2,5/MD/15 GRUEN
55.703.1053.9	orange/orange	WKF 2,5/MD/15 ORANGE

Tolerierung nach DIN 7167/Tolerance system acc. to DIN 7167. (This DIN-standard describes the envelope principle. According to the envelope principle the deviations of form and parallelism are limited by the size tolerances).				ja/yes <input checked="" type="checkbox"/> Stoffverbots- und Deklarationsliste nach UU-TQM-05/03 ist einzuhalten. Conformity with Wieland document UU-TQM-05/03 (list of prohibited / declarable hazardous substances) to be declared!			
Freitoleranz nach General tolerance		CAD - Zeichnung, keine manuellen Änderungen CAD - drawing, no manual modifications allowed		1. Verwendung: - First Use:		Blatt: 1 von 1 Sheet: 1 of 1	
/		Werkstoff/Material		2006	Tag/Date	Name	
/		Maßstab/Scale		gezeichnet drawn	06.12.	Bauer F.	
/		2:1		geprüft checked	-	-	
/		Vol.		Normgepr. Stand. check	-	-	
/		mm ³ Ofl./Surf.		Ersatz für/Replacement for: -			
/		wieland		Type		Benennung/Title	
/		Elektrische Verbindungen		Typ		DUO_DURCHGANGSKLEMME	
Index		Datum / Blatt Date / Sheet		WKF 2,5 /MD/15..		Federkraftanschluß 2,5mm ² duo feed-through block, spring clamp connection	
Änderung/Revision							

Weitergabe sowie Vervielfältigung dieses Dokuments, Verwertung und Mitteilung seines Inhalts sind verboten, soweit nicht ausdrücklich gestattet.
The reproduction, distribution and utilization of this document as well as the communication of its contents to others without express authorization is prohibited.

557031053001K_4_CADW1032_Bauer 2006-12-06T10:53:48 1.000